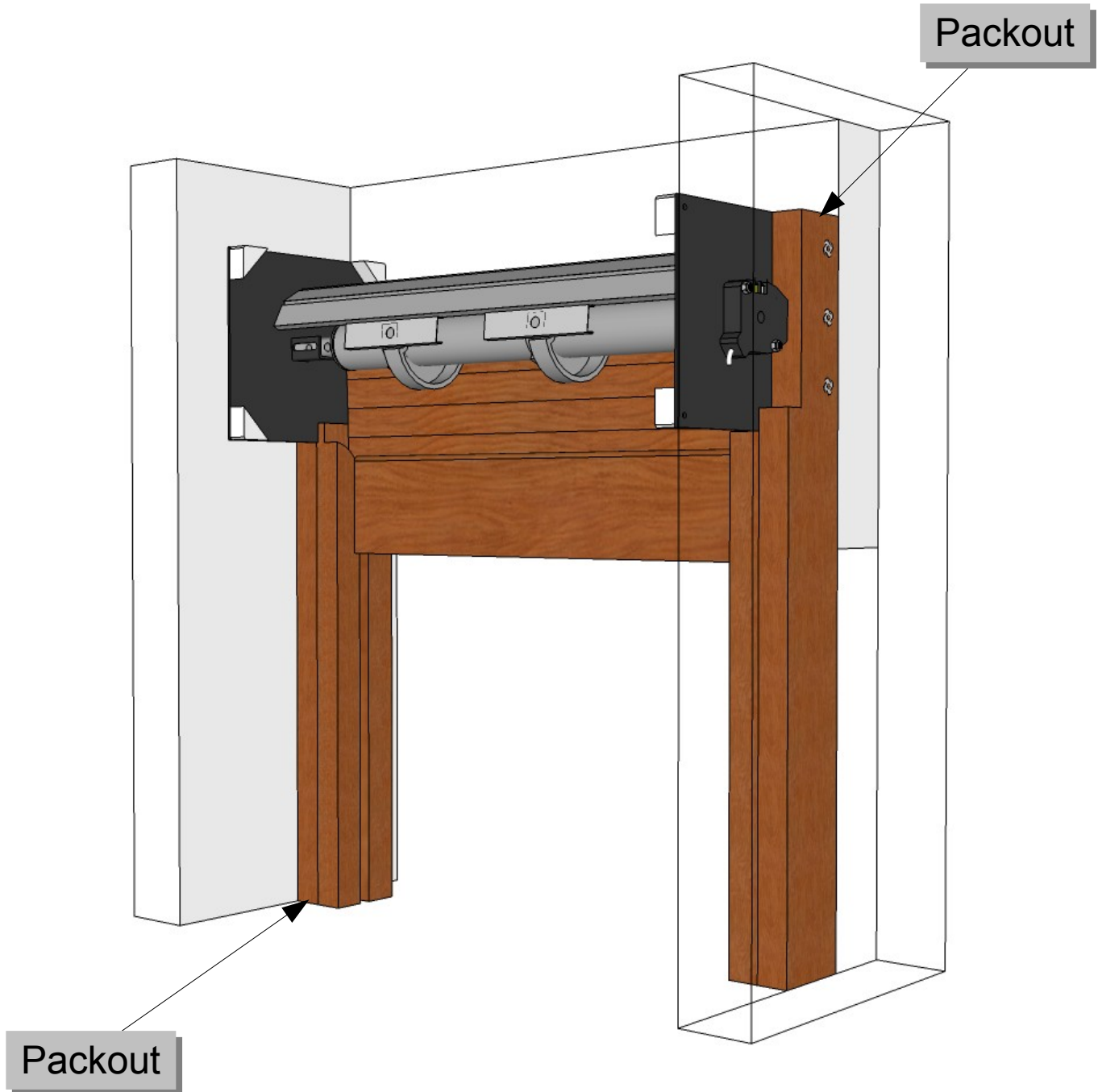


# Between Wall on face of Lintel Motorized Operation

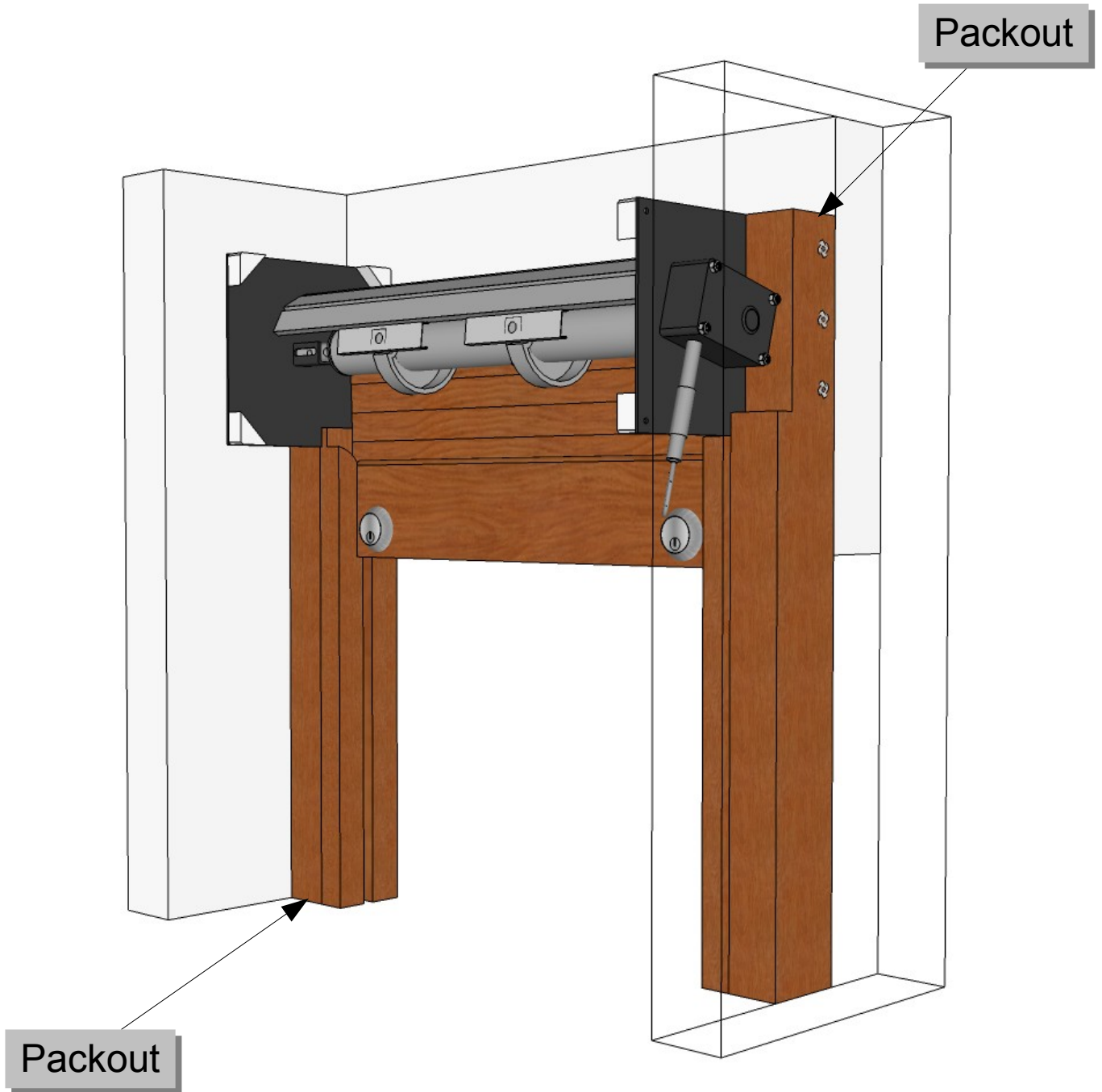
View from Coil Side



Shown without Hood option

# Between Wall on face of Lintel Hand Crank Operation

View from Coil Side



Shown without Hood option  
Shown with Keylock option