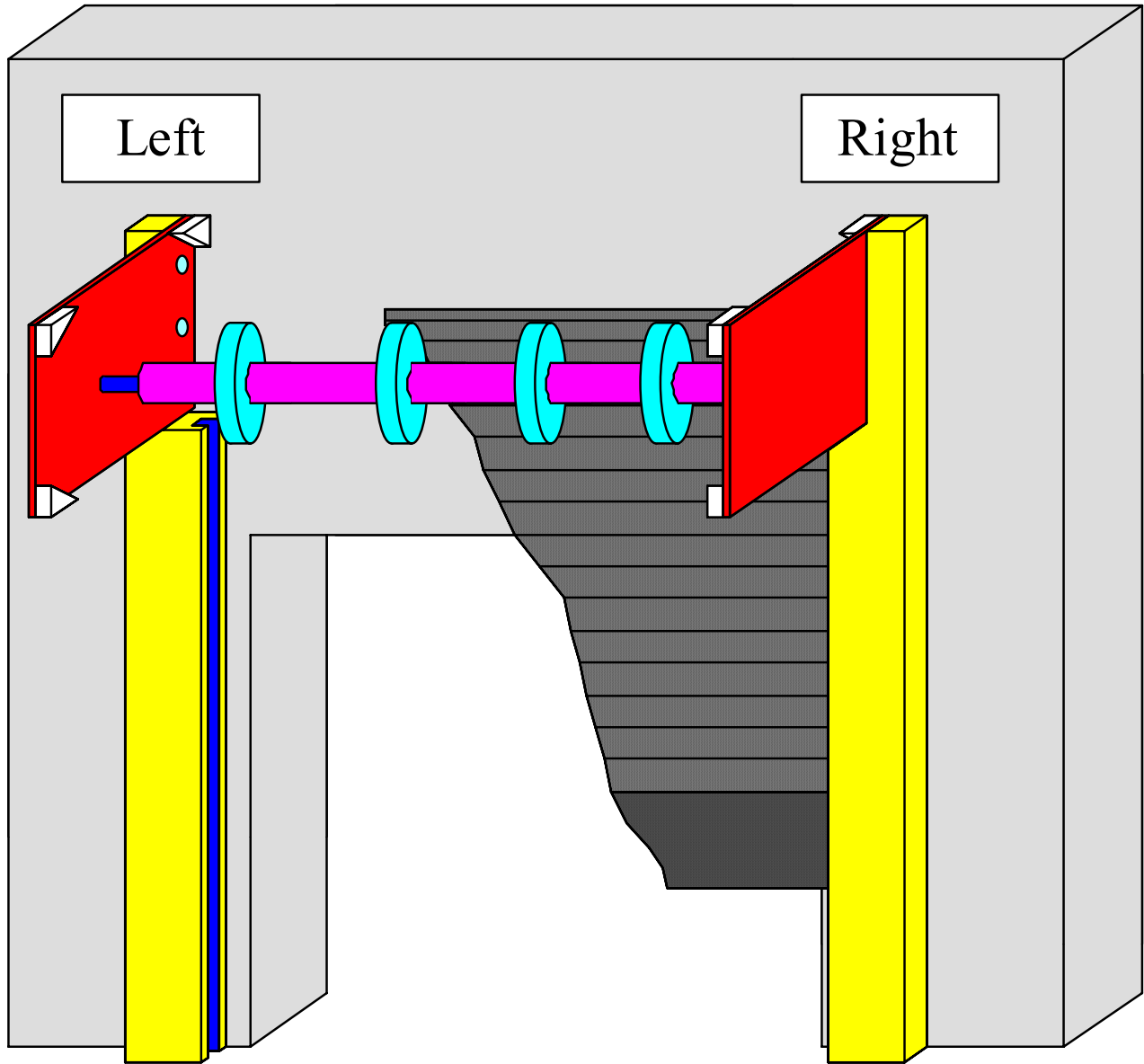
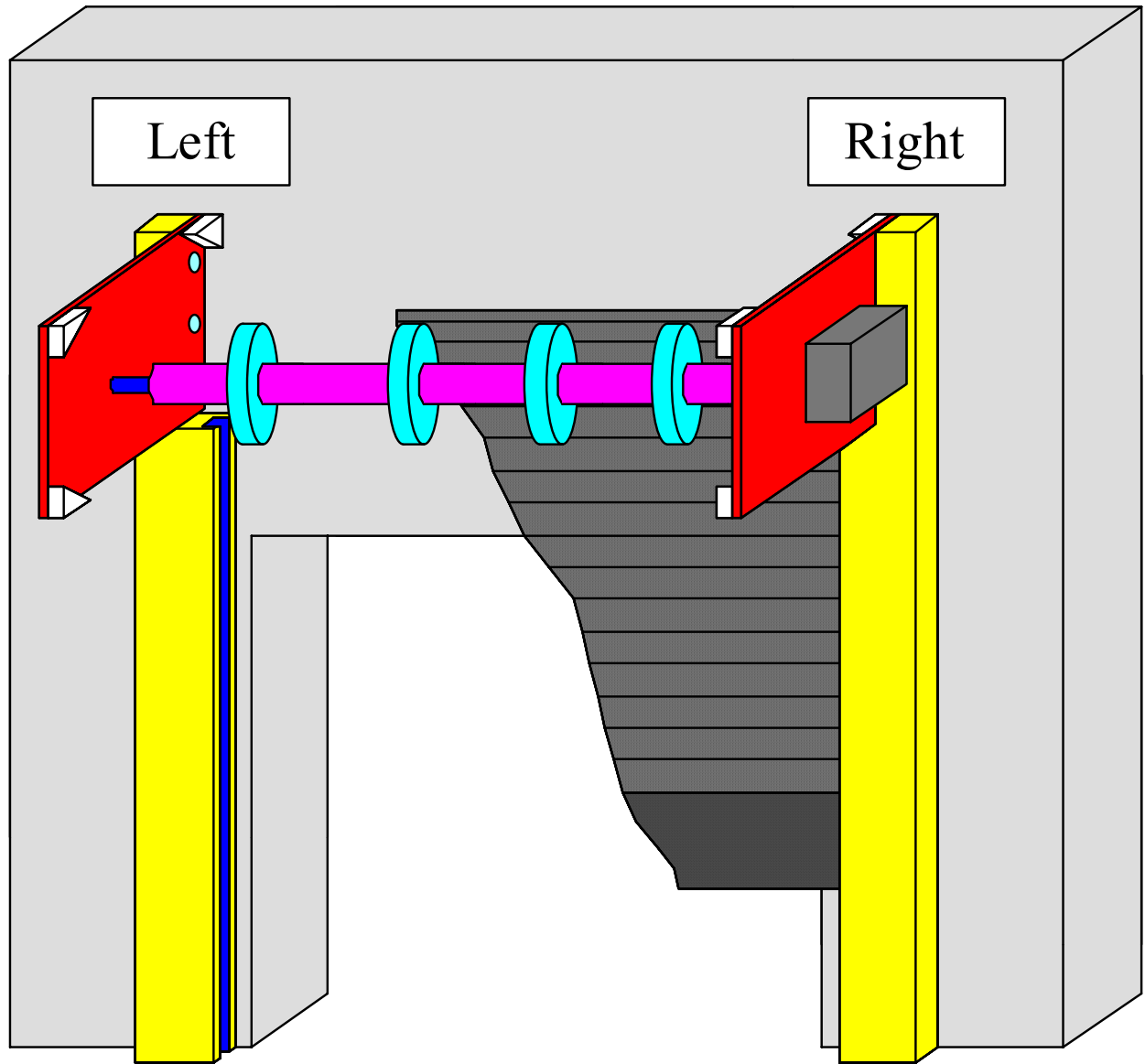


# View From Coil Side Manual Operation



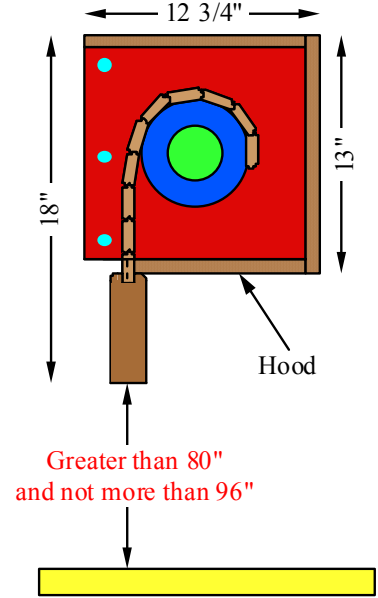
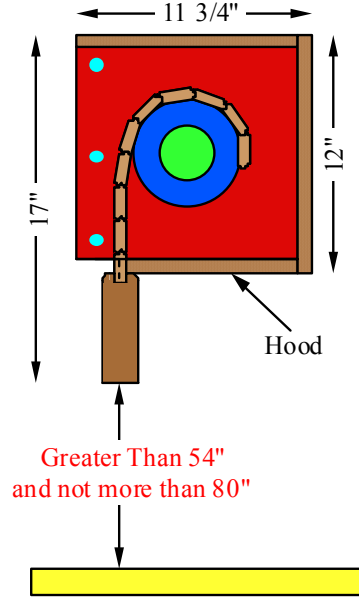
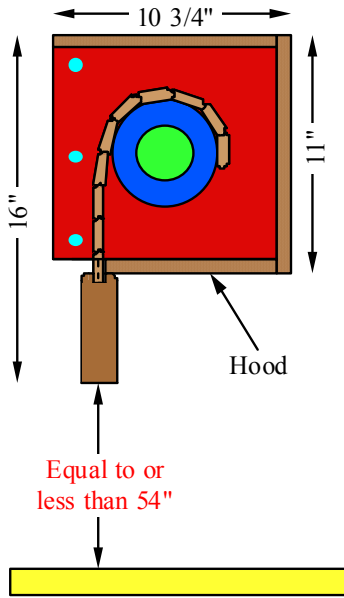
Outside Mount  
(Shown Without Hood)

View From Coil Side  
Motor or Crank Operation

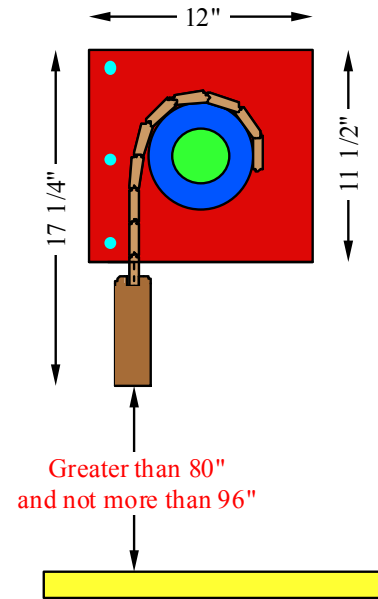
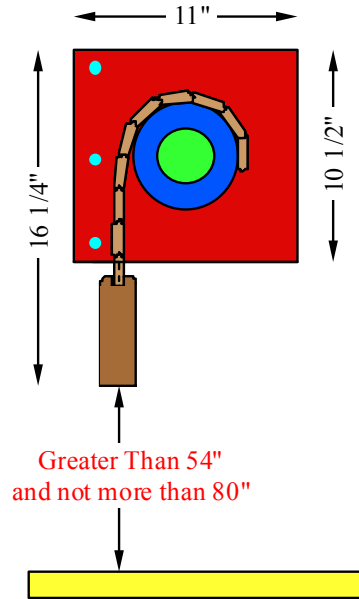
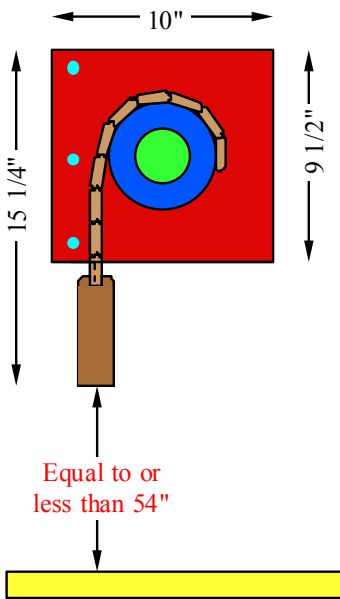


Outside Mount  
With Gear Box  
(Shown Without Hood)

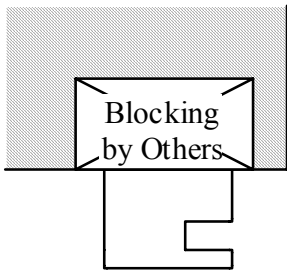
## End Plate Detail With Hood



## End Plate Detail Without Hood



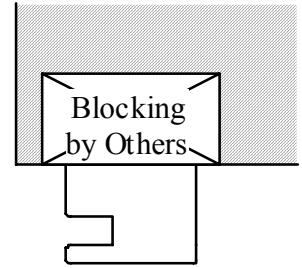
Outside Mount



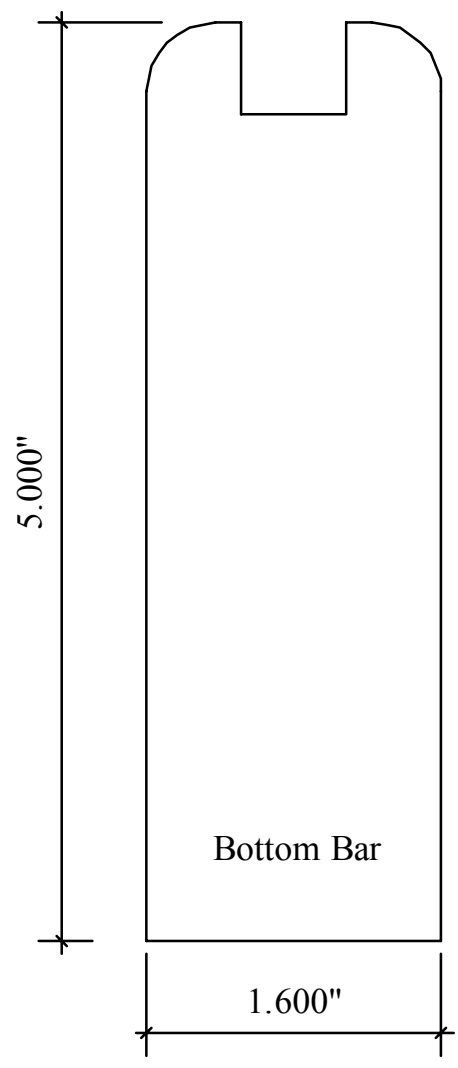
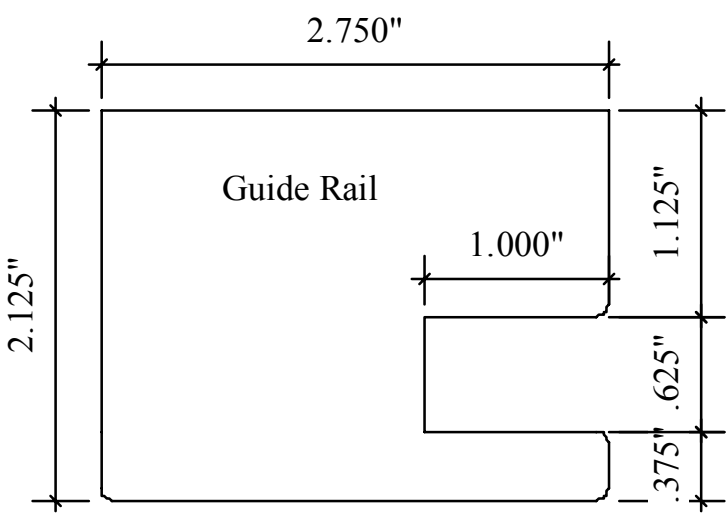
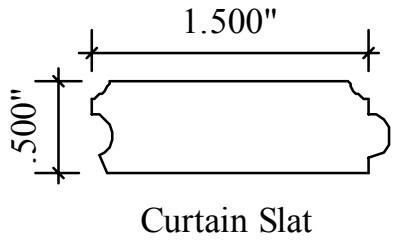
Left

# Manual, Motor or Crank Operation

Coil Side



Right



Outside Mount