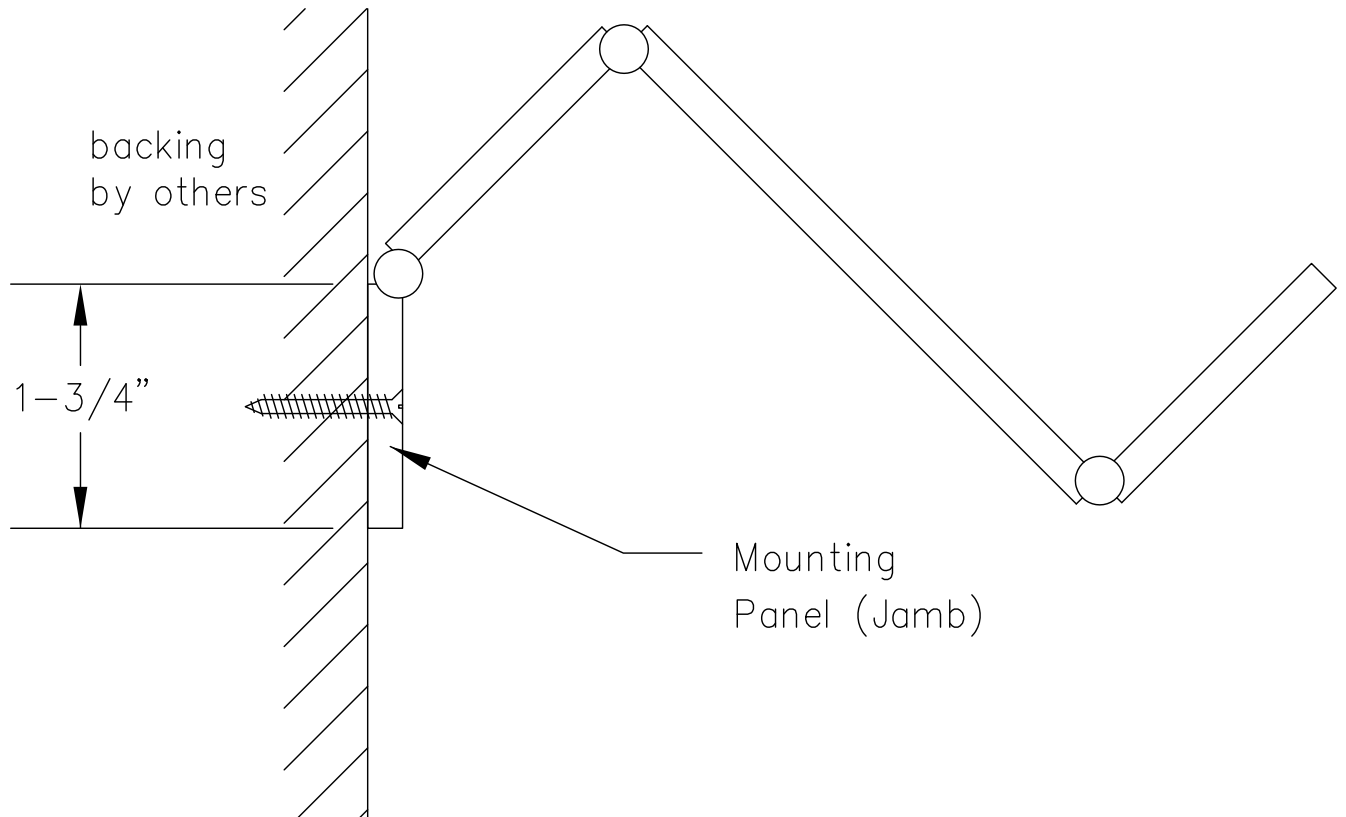


Mounting Panel



*Direction of mounting panel (jamb)
varies based on door construction.
Consult factory for specific information.*

Woodfold Manufacturing, Inc.
PO Box 346 Forest Grove OR 97116
<http://www.woodfold.com>

CAD MPAN-540

○ MOUNTING PANEL — MODEL 540