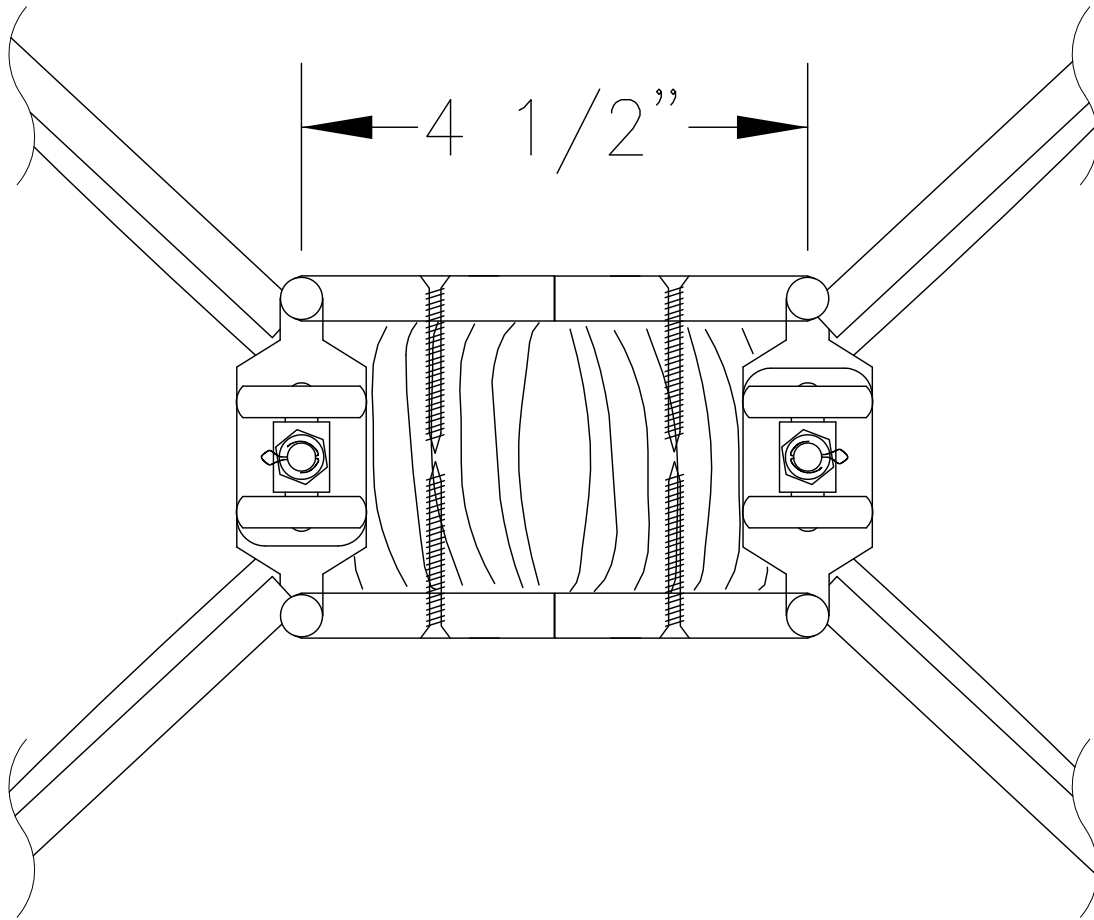


Intermediate Rolling Post



Woodfold Manufacturing, Inc.
PO Box 346 Forest Grove OR 97116
<http://www.woodfold.com>

CAD IRP-3300

○ INTERMEDIATE ROLLING POST – MODEL 3300